

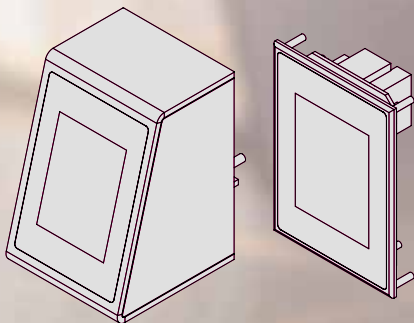
SILEXA

# FOURTAP

SEAMLESS INTEGRATION.

## PORTION & ACCOUNTING MODULE OF THE NEXT GENERATION

- + 2,8" touch-screen
- + several housing variants
- + own logo on the front foil possible
- + up to 8 buttons configurable –  
4 outputs 24 VDC, 4 flow meters  
and 4 error inputs
- + PWM control – voltage reduction for  
valves or speed control possible with el. pumps
- + design and wallpaper freely selectable



### DIMENSIONS (MM)

FREE STANDING: W 72 | H 105 | D 76

INSTALLATION VERSION: W 70 | H 96

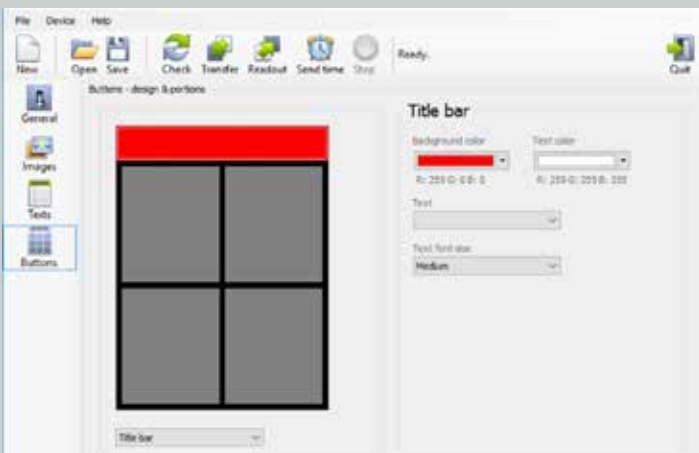


## FACTS & FIGURES

- + Free Flow possible
- + USB interface
- + multilanguage support
- + code input for manager functions, evaluation can be displayed directly on the buttons
- + including modern configuration software

### OPTIONAL:

- + RS232, LAN, WLAN or GSM interface
- + telemetry – server backend and app on customer request possible



### SCREENSHOTS (from left to right)

- 1 Windows configuration software
- 2 up to 8 keys freely assignable
- 3 PWM control
- 4 reporting of all relevant interactions
- 5 full control – evaluations of the products



Event	Timestamp
Menu login	17.12.2018 16:04:37
Menu login	17.12.2018 16:02:24
Device turned on	17.12.2018 16:02:04
Device turned off	17.12.2018 16:02:00
Menu login	17.12.2018 16:58:27

Button	Count
Button 1 0,2 l	36
Button 2 0,3 l	38
Button 3 0,5 l	20
Button 4 1 l	30